

Fish Culture Tanks



www.Aqua-Tech.eu

Fish Culture Tanks

Overview

Tanks for fish farming can be made of various materials (concrete tank, metal tank, plastic tank), however, the standard of the aquaculture industry are plastic tanks made from RGP, which last for decades. They are used for producing or keeping fishes (growing tanks, holding tanks) and depending on tank form and water flow can be divided into longitudinal and circular flow tanks, moreover there are mixed ones (e. g. recirculation flow tanks).

Longitudinal flow tanks are rectangular tanks, they require a larger water flow (>2 cm/s) and are only partly self-cleaning. The water quality decreases continuously from inlet to outlet, as the inflow water mainly flows through the fish tank in longitudinal direction just one time and leaves the tank immediately.

Circular flow tanks are round tanks and square tanks with rounded corners, they require a smaller water flow (<1 cm/s) and are mainly self-cleaning. The water quality in the whole tank is mixed and practically the same, as the inflow water mainly flows through the fish tank in circular direction several times before it leaves the tank thereafter.

Recirculation flow tanks are oval tanks with middle wall, they summarize all advantages of longitudinal and circular flow tanks, but without showing their disadvantages. The tank height resp. water depth should be always adapted to water and fish quantity, a rule of thumb is: as low as possible but as high as necessary.

We offer a complete product range of various fish tanks, in different forms and outfits made in one part, with a size up to 6 m and a volume up to 10 m³, as well as tanks made in several parts also larger. This fish tanks have a long proven history (30 years) and are manufactured of glassfibre reinforced polyester (GRP). The RGP consist of several layers of glass fibre matt (450 g/m²) with polyester resin and finally a painting of high quality topcoat. RGP does not contain softeners and is weather and UV-resistant. The conical form, the funnel shaped outlet (sludge sunk) and the absolutely smooth inside finish ensures, the tank system is practically self-cleaning. Therefore it is possible to hold sensitive bottom fish or fish larvae too. The whole tank and especially the edging made very strong, allows the attachment of feeders or other equipment.

All tanks are available in the standard colour green or grey, special colours (to RAL-scale) are possible with a price addition. Optional laminated support legs (feet) make it possible to place the tanks safe on the bottom and ensures easy lightweight handling or transportation. The swing- or telescopic outlet, available as accessories, is made from grey or orange PVC-pipe (DN 50-150 mm) with water level regulation, which is fixed under the bottom and leaded at the tank side. Bottom- or stand-sieves (2-5 mm) are also available as accessories.

Quality for reasonable prices!

AquaTech

A-6370 Kitzbühel/Austria, Unterbrunnweg 3, Tel: +43/664-1048297, www.aqua-tech.eu

Fish Culture Tanks

Selection

Round Tanks



Square Tanks



Rectangular Tanks



Oval Tanks



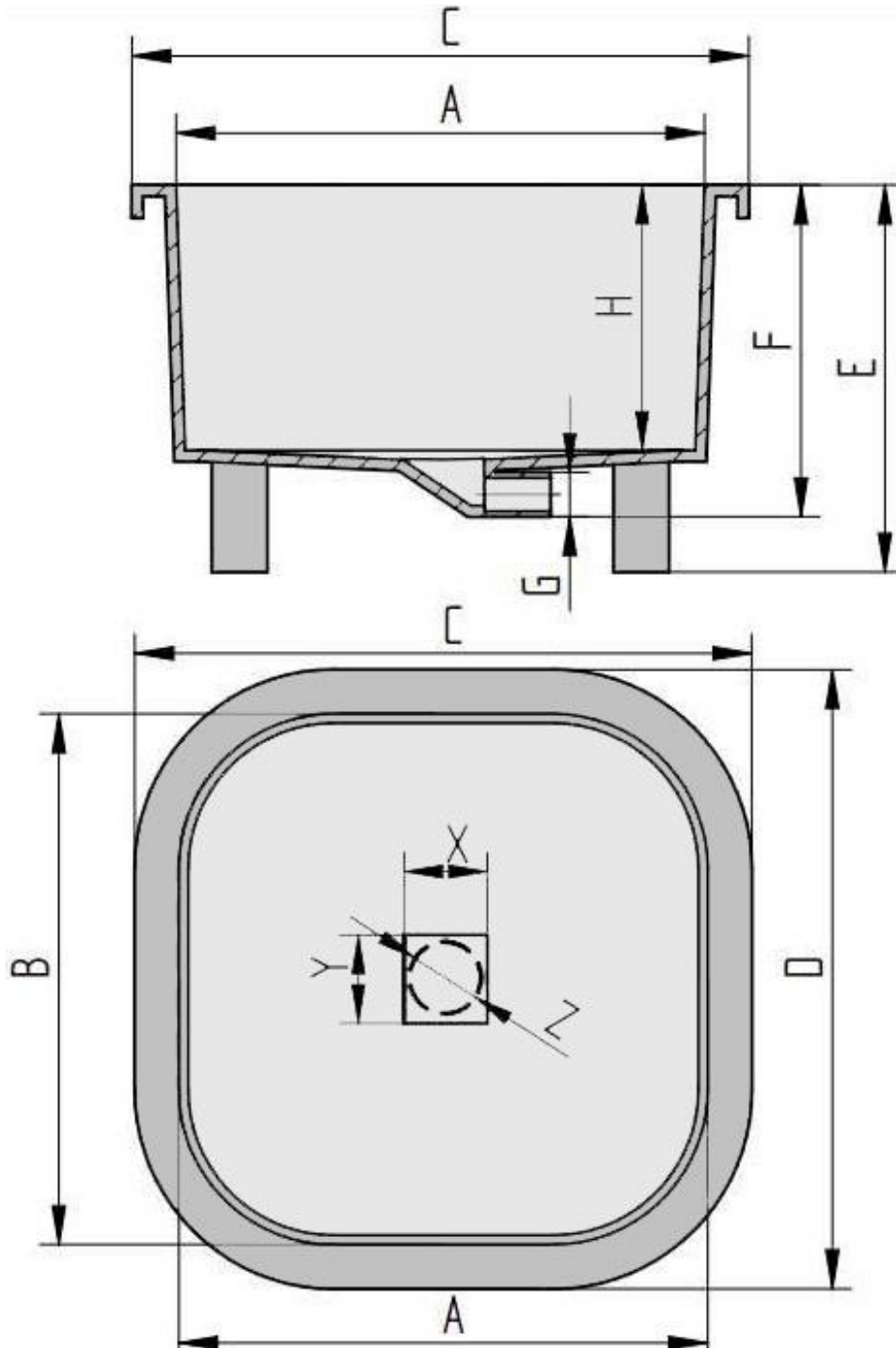
each without or with feet

AquaTech

A-6370 Kitzbühel/Austria, Unterbrunnweg 3, Tel: +43/664-1048297, www.aqua-tech.eu

Fish Culture Tanks

Dimensions



Consulting:

AquaTech

A-6370 Kitzbühel/Austria, Unterbrunnweg 3, Tel: +43/664-1048297, www.aqua-tech.eu

Fish Culture Tanks

Sizes

Round Tanks

Dimensions*	Inside			Outside					Screen		
Type	A	B	H	C	D	F	E	G	X	Y	Z
RB-700	150	150	50	160	160	67	80	11	30	30	-
RB-2000	200	200	70	210	210	92	95	11	-	-	50
RB-2500	200	200	90	210	210	112	115	11	-	-	50
RB-3100	200	200	120	210	210	145	145	11	47	47	-
RB-4800	260	260	100	270	270	120	120	11	-	-	50

Square Tanks

Dimensions*	Inside			Outside					Screen		
Type	A	B	H	C	D	F	E	G	X	Y	Z
RS-300	100	100	45	110	110	51	75	11	-	-	30
RS-500	100	100	60	110	110	74	90	11	24	21	16
RS-800	120	120	70	128	128	80	100	11	30	30	-
RS-700	145	145	45	153	153	59	75	11	-	-	30
RS-1100	145	145	70	150	150	81	100	11	-	-	16
RS-1300	160	160	55	164	164	70	85	11	-	-	30
RS-1600	200	200	50	210	210	62	80	11	45	45	50
RS-2400	200	200	70	210	210	82	100	11	45	45	50
RS-3200	200	200	90	210	210	102	120	11	45	45	50

Oval Tanks

Dimensions*	Inside			Outside					Screen		
Type	A	B	H	C	D	F	E	G	X	Y	Z
KB-1300	300	120	40	316	136	60	70	11	25	35	-
KB-1700	400	120	40	416	136	60	70	11	25	35	-
KB-2000	500	120	40	516	136	60	70	11	25	35	-
KB-2400	600	120	40	616	136	60	70	11	25	35	-
KB-2200	300	120	60	316	136	80	90	11	25	35	-
KB-2800	400	120	60	416	136	80	90	11	25	35	-
KB-3400	500	120	60	516	136	80	90	11	25	35	-
KB-4000	600	120	60	616	136	80	90	11	25	35	-

*All dimensions can change without notice and are approximately values in cm (± 1 cm).
Other tanks or sizes, on request.

If questions, please contact:

AquaTech

A-6370 Kitzbühel/Austria, Unterbrunnweg 3, Tel: +43/664-1048297, www.aqua-tech.eu

Fish Culture Tanks

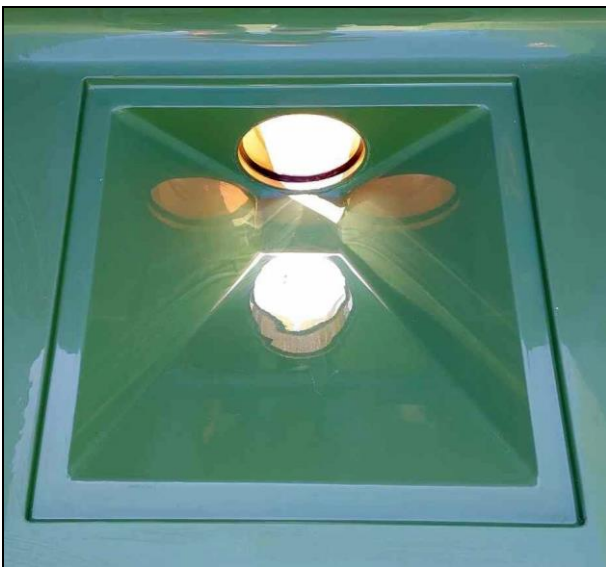
Sizes

Rectangular Tanks

Dimensions*	Inside			Outside					Screen		
Type	A	B	H	C	D	F	E	G	X	Y	Z
LB-300	240	40	20	250	50	30	30	11	40	40	-
LB-900	340	50	40	350	60	50	50	11	40	40	-
LB-1400	355	65	65	368	78	73	73	11	?	?	-
LB-3300	410	100	80	425	110	85	85	11	?	?	-
LB-3900	565	100	75	580	110	80	80	11	?	?	-
LB-4000	300	135	110	315	150	125	125	12	50	50	-
LB-4800	355	135	110	370	150	125	125	12	50	50	-
LB-8000	500	200	90	520	220	110	110	11	?	?	-

**All dimensions can change without notice and are approximately values in cm (± 1 cm).
? = on request!

Options



Outlet sink and stand supports
(can change depending on tanks)

If questions, please contact:

AquaTech

A-6370 Kitzbühel/Austria, Unterbrunnweg 3, Tel: +43/664-1048297, www.aqua-tech.eu

Fish Culture Tanks

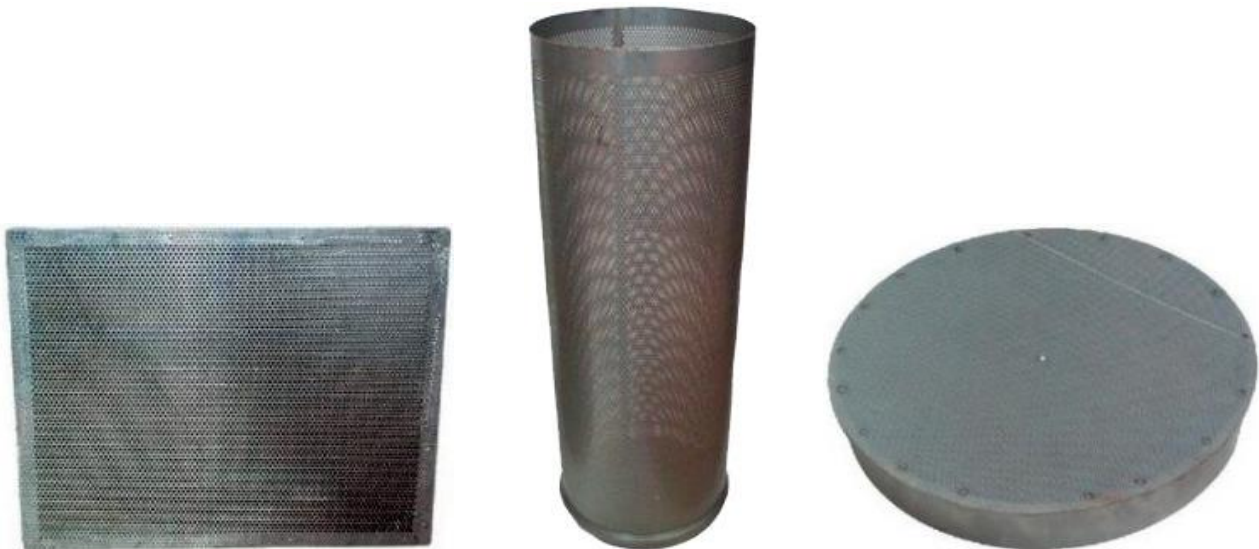
Accessories

Outlet Pipes



Swing- or Telescope-pipes

Outlet Screens



Bottom- or Stand-screens

Consulting:

AquaTech

A-6370 Kitzbühel/Austria, Unterbrunnweg 3, Tel: +43/664-1048297, www.aqua-tech.eu

Fish Culture Tanks



Square Tank (above) and Rectangular Tank (below)



AquaTech

A-6370 Kitzbühel/Austria, Unterbrunnweg 3, Tel: +43/664-1048297, www.aqua-tech.eu

Fish Holding Pools

Alternatives

Lined Pools

(rectangular)

Type	AF-1	AF-2	AF-3	AF-4	AF-5	AF-6	AF-7	AF-8
Volume m3	0,75	1,25	2,00	3,12	1,00	2,00	2,75	11,00
Length x Wide m	1,25x1,25	2,00x1,25	2,00x2,00	2,50x2,50	1,25x1,25	1,50x1,50	2,50x1,25	4,45x2,25
Height m	0,6	0,6	0,6	0,6	0,8	1,0	1,0	1,1
Supports	1	1	1	1	1	2	1	1
Liner	0,5 mm fabric reinforced (blue)							
Options	Outlet drain, Net Cover							

Lined Pools

(multicorner)

Type	BF-15	BF-20	BF-25	BF-30	BF-35	BF-40	BF-45	BF-50
Volume m3	1,35	2,55	2,65	3,75	4,85	6,95	7,75	11,05
Diameter m	1,5	2,1	2,5	2,5	3,2	3,2	4,0	4,0
Height m	0,8	0,8	0,8	1,1	0,8	1,1	0,8	1,1
Supports	1	1	1	2	1	2	1	2
Liner	0,5 mm fabric reinforced (blue)							
Options	Outlet drain, Net Cover							

All dimensions are approximately values. Other forms or sizes, on request.

Selection



Rectangular pools with one or two horizontal aluminium-supports



Multicorner pools with one or two horizontal aluminium-supports

If questions, please contact:

AquaTech

A-6370 Kitzbühel/Austria, Unterbrunnweg 3, Tel: +43/664-1048297, www.aqua-tech.eu

Fish Holding Pools

Alternatives

Lined Pools

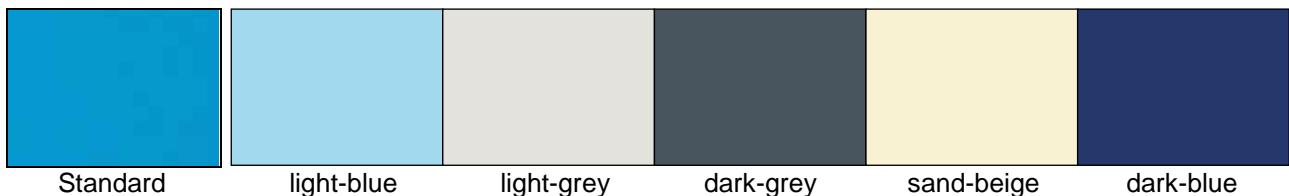
(circular)

Type	FB-09	FB-11	FB-14	FB-18	FB-21	FB-25	FB-28	FB-33	FB-40	FB-58	FB-75
Volume m3	9	11	14	18	21	25	28	33	40	58	75
Diameter m	3,0	3,5	4,0	4,5	4,5	5,0	5,0	5,5	6,0	7,0	8,0
Height cm	120	120	120	120	135	135	150	150	150	150	150
Steel wall mm	0,6				0,7						
Liner mm	0,8				0,8						

All dimensions are approximately values. Other forms or heights, on request.

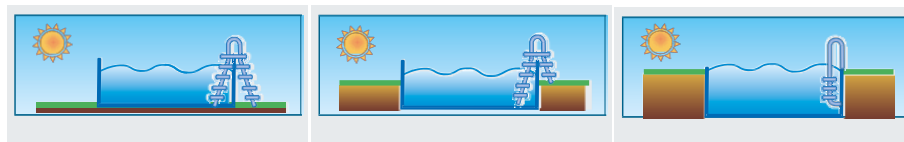
Options

Liner colours



Steel wall in dark-grey and handle in light grey (only for 1,2 m high pools), on request.

Installation



On-ground

Part-ground

In-ground

Pools with a height of 150 cm must be put partly into the ground for min. 50 cm!

If questions, please contact:

AquaTech

A-6370 Kitzbühel/Austria, Unterbrunnweg 3, Tel: +43/664-1048297, www.aqua-tech.eu